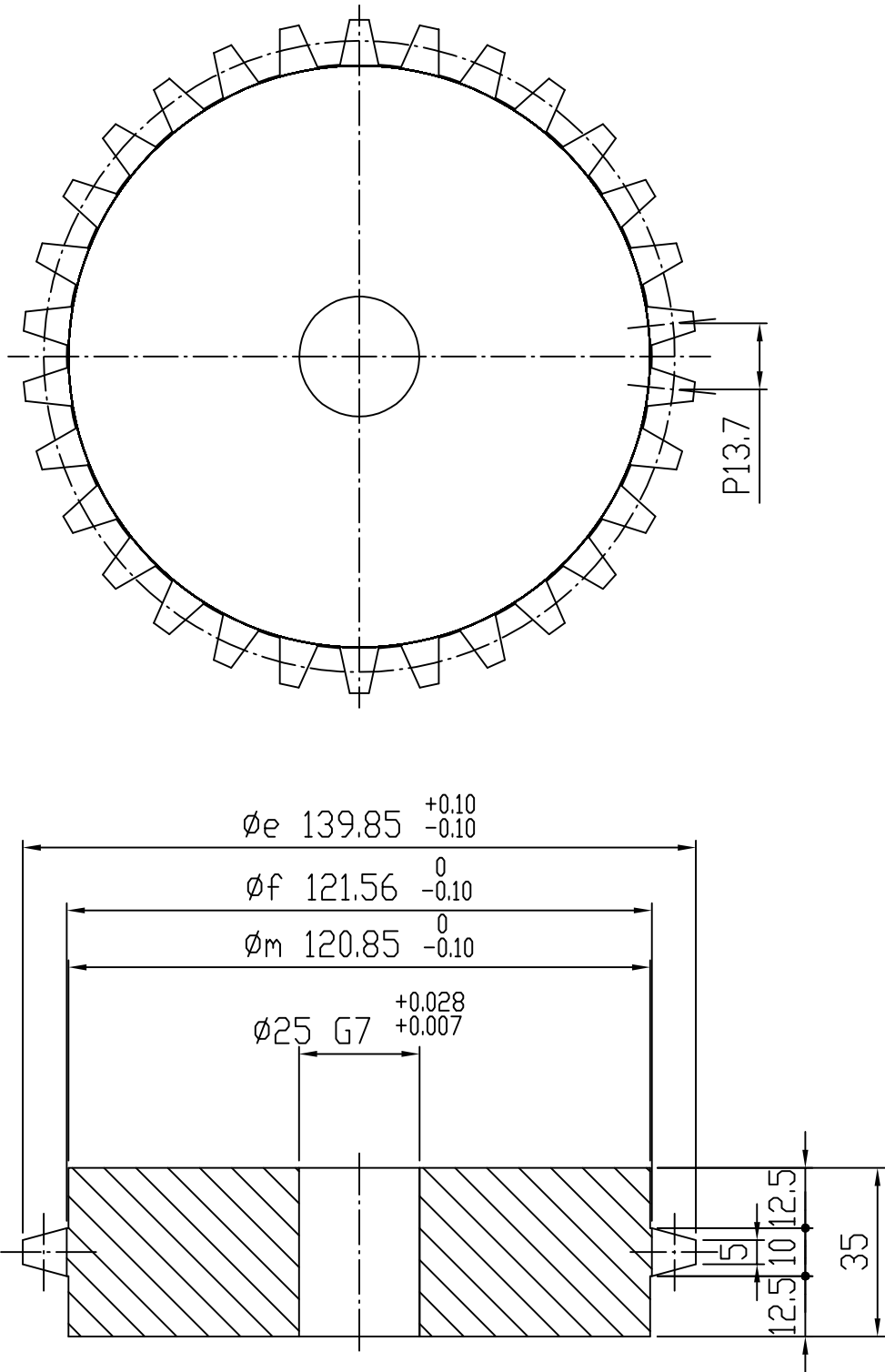
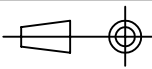


All rights reserved. This drawing or parts of it cannot be reproduced or copied or modified in any form or by any means, graphic electronic or mechanical, including photocopying without the written permission of WBT Srl



0	0	RD040137003037ST0001			
Pos.	Q.ta'	Denominazione	Materiale	Trattam.	UNI / note
WIRE BELT TECHNOLOGY SRL Via XXV Aprile, 2 23804 MONTE MARENZO (LC) P.IVA/C.F. 03373740137 Tel 0341-632080 Fax 0341-588818			C45	Scala	1:1
				Disegnato da	F.G.
				Data	06/06/2017
Ruota dentata P.13,7 Z=30 $\phi$ p.131,06 Foro $\phi 25$ G7 Ld.10/5 Sp.tot.= mm35			 sistema E UNI 3970		Rev.
Rev. 3	Rev. 2	Rev. 1	DISEGNO N°		0